

HIT RAPIDO



PERIPHERAL OPTIONS



9.7" Second Display



MSR



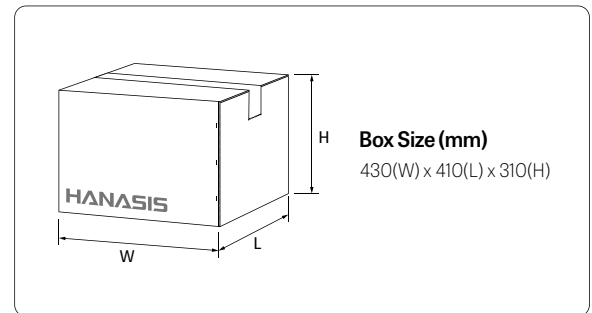
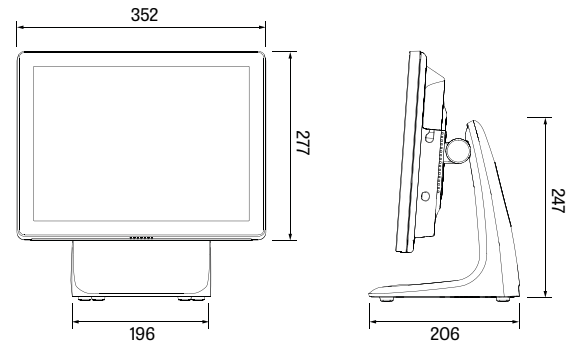
Customer Display (VFD)

SPECIFICATIONS

CPU & Chipset	Intel® Core™ i3-1115G4 Processor (6M Cache, Up to 4.10 GHz) Intel® Core™ i5-1135G7 Processor (8M Cache, Up to 4.20 GHz) System on Chip (SoC)
Memory	DDR4L 4GB SoDIMM (Up to 16GB)
Storage	2.5", SATA-III SSD 128GB (Up to 512GB) (Optional RAID; Ask for details)
Display	15", 1024 x 768, 24bit, Luminance : 350 cd/m ² , Backlight : LED
Touch Panel	15", Projective Capacitive Touch (Bezelleless)
HDMI	1EA (Intel® UHD Graphics)
LAN	1EA (Realtek Gigabit LAN)
Serial	5EA (DSUB-9P x 2EA / RJ-45 x 2EA / RJ-11 x 1EA (MSR))
USB	USB 3.0 x 4EA (I/O), USB 2.0 x 2EA (Rear)
Audio	1EA (Line Out)
Speaker	1EA (1W)
Cooler & FAN	Fanless
Cash Drawer	1EA (RJ-11) (DK Port Default : 24V/GPIO)
Power Adaptor	96[W] Adaptor, Input AC 100-240V/50-60HZ, DC 24V/4A (DIN 3-Pin)
Dimension (W x L x H) (mm)	430(W) x 410(L) x 310(H) (BOX)
Weight (kg)	4.8kg

DIMENSION

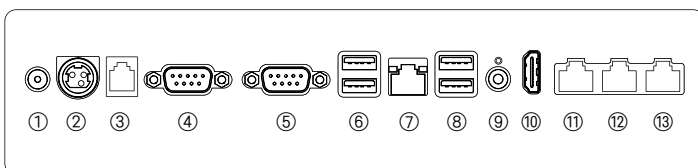
Unit : mm



OPTIONS

OS	Windows 10 IoT / Windows 10 Pro / Linux(CentOS 7.X -) (Windows 11 Pro PC Version Only)
Second Display	9.7"/15", TFT-LCD, 1024 x 768, LED Panel (Non-touch / PCAP Touch)
Customer Display	VFD Type, 20 Characters x 2 Lines (Serial RS-232)
Customer Card Reader	Dual-Track(1&2) or Triple-Track(1&2&3) (USB)
Case Color	All Black / Black & White

I/O INTERFACES



Description

- | | |
|-----------------------|-------------------------|
| ① DC-OUT (12V) | ⑧ USB 3.0 |
| ② DC-IN (24V) | ⑨ Audio Jack (Line Out) |
| ③ Cash Drawer (RJ-11) | ⑩ HDMI |
| ④ COM#1 (DSUB-9P) | ⑪ COM#3 (RJ-45) |
| ⑤ COM#2 (DSUB-9P) | ⑫ COM#4 (RJ-45) |
| ⑥ USB 3.0 | ⑬ COM#5 / MSR (RJ-45) |
| ⑦ LAN (RJ-45) | |

ORDER CODES

Product Code	Description
HAN-HT1GBBAE4NNV3	i3-1115G4, 4GB, 128GB, OS, All Black, V3 Stand
HAN-HT1GBBBE4NNV3	i3-1115G4, 4GB, 256GB, OS, All Black, V3 Stand
HAN-HT1GBBAE8NNV3	i3-1115G4, 8GB, 128GB, OS, All Black, V3 Stand
HAN-HT1GBBBE8NNV3	i3-1115G4, 8GB, 256GB, OS, All Black, V3 Stand
HAN-HT2GBBAE4NNV3	i5-1135G7, 4GB, 128GB, OS, All Black, V3 Stand
HAN-HT2GBBBE4NNV3	i5-1135G7, 4GB, 256GB, OS, All Black, V3 Stand
HAN-HT2GBBAE8NNV3	i5-1135G7, 8GB, 128GB, OS, All Black, V3 Stand
HAN-HT2GBBBE8NNV3	i5-1135G7, 8GB, 256GB, OS, All Black, V3 Stand

COLOR



* Product's Design and Specifications Can be Changed Without Any Notification.